

# Angular Contact Ball Bearings

Bearing No. : **NACHI 7224BDF**

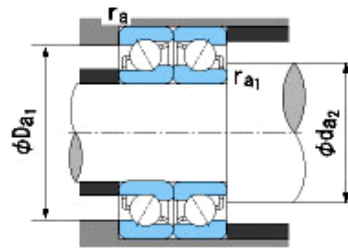
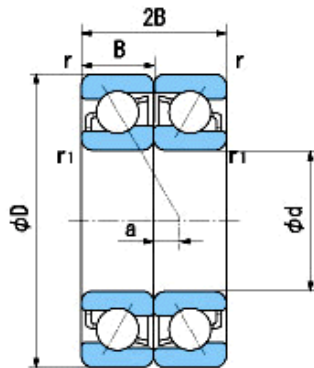
■ Bearing Type

■ Clearance

■ Tolerance Class

Dimensions

d = 120<sup>0</sup><sub>-0.020</sub>  
 D = 215<sup>0</sup><sub>-0.030</sub>  
 B = 40<sup>0</sup><sub>0.000</sub>  
 r = 2.1~4  
 (Radial Direction)  
 r = 2.1~6.5  
 (Axial Direction)  
 r1 = 1.1~2  
 (Radial Direction)  
 r1 = 1.1~3.5  
 (Axial Direction)  
 a = 50.3



Dimensions

da1(min) = 132  
 da2(min) = 127  
 Da1(max) = 203  
 Da2(max) = 208  
 ra(max) = 2  
 ra1(max) = 1  
 Mass = 12.1 kg

Basic Dynamic Load Rating Cr : **277,000** N

Basic Static Load Rating Cor : **335,000** N

Limiting Speed ;

Grease Lubrication : **1,900** min<sup>-1</sup>

Oil Lubrication : **2,500** min<sup>-1</sup>

	INNER RING	OUTER RING
O.D.Surface Runout with Side :		-
Axial Runout with Bore :	-	-
Axial Runout with Raceway :	-	-
Width Variation :	<b>0.025</b>	<b>0.025</b>
Radial Runout :	<b>0.025</b>	<b>0.050</b>